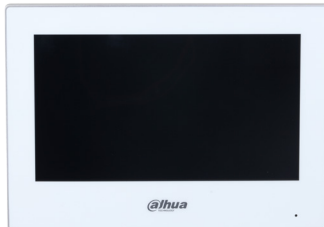


DHI-VTH2624GW-WP

4-wire Wi-Fi Hybrid Indoor Monitor



Technical Specification

System

Main Processor	Embedded Processor
Operating System	Embedded operating system
Network Protocol	UDP; TCP; FTP; IPv4; DNS; RTSP; SSH; SIP; P2P; RTP
Interoperability	ONVIF

Basic

Screen Type	Capacitive Touchscreen
Display Screen	7" TFT
Screen Resolution	1024 (H) × 600 (V)
Audio Compression	G.711a; G.711u; PCM
Audio Input	1 channel
Audio Output	Built-in speaker
Audio Mode	Two-way audio with VTO (half-duplex); Two-way audio with app (full-duplex)
Audio Enhancement	Echo suppression/digital noise reduction
Audio Bit Rate	16 KHz; 16 Bit

Function

Communication Mode	Full digital; Analog
Information Release	Receive and view text information released by the management center
Leave Videos	Yes (SD card needed)

- 7" TFT capacitive touch screen, 1024 × 600.
- Wi-Fi.
- H.264 video decoding.
- Connects to analog and digital VTOs, and analog and digital VTHs.
- Connects to IPCs.
- Features group call.
- Supports recording videos and capturing snapshots (SD card is required).
- 6-channel alarm input and 1-channel alarm output.
- Supports app management, receiving calls and alarm messages, and monitoring and opening the door.
- Standard PoE.
- Surface mount.



DND Mode	Do not disturb period can be set; Do not disturb mode can be set
Number of Extensions	Villa: 9 digital extensions and 2 analog extensions Apartment: 4 digital extensions and 2 analog extensions
Wi-Fi	Yes
Wireless Standard	IEEE802.11b; 802.11g; 802.11n
Wireless Frequency Range	2.4 GHz
Storage	Micro SD card (up to 64 GB)
Port	
RS-485	1
Alarm Input	6
Alarm Output	1
Power Output	1 (12 V, 200 mA)
Door Bell	Yes (use the alarm input port)
Network Port	1 × RJ-45 10/100 Mbps Ethernet port
4-wire	4
Performance	
Casing Material	PC and ABS

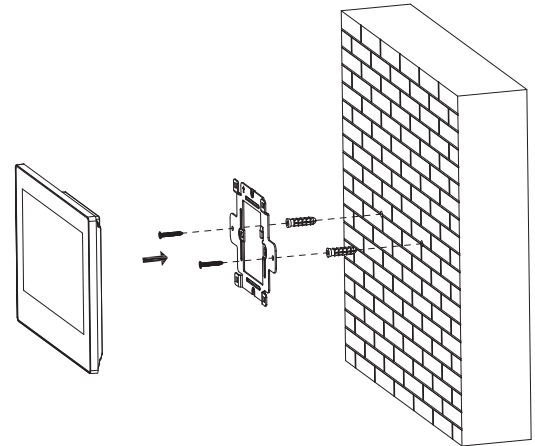
General

Appearance Color	White
Power Supply	12 VDC, 1 A Standard PoE
Power Adapter	Optional
Installation	Surface Mount
Certifications	CE
Accessory	Included: Power cord 485 and Power output ribbon cable alarm ribbon cable bracket
Product Dimensions	189.57 mm × 134.57 mm × 26 mm (7.46" × 5.30" × 1.02")
Operating Temperature	-10 °C to +55 °C (+14 °F to +131 °F)
Operating Humidity	10%–90% (RH)
Operating Altitude	0 m–3000 m (0 ft–9842.52 ft)
Power Consumption	≤3.8 W (standby), ≤8.9 W (working)
Gross Weight	604 g (1.33 lb)
Storage Temperature	0 °C to 40 °C (+32 °F to +104 °F)
Storage Humidity	30%–75%
Anti-corrosion Level	Basic Protection
Operating Environment	Indoor

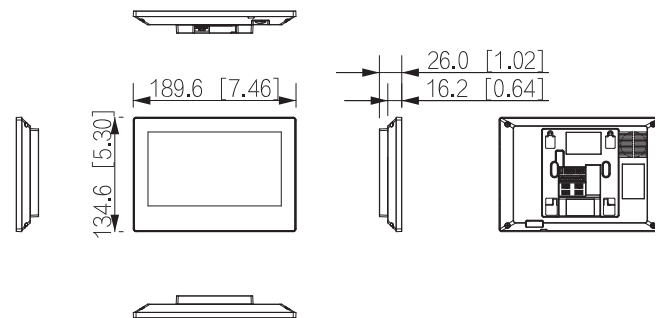
Ordering Information

Type	Model	Description
VTH	DHI-VTH2624GW-WP	4-wire Wi-Fi Hybrid Indoor Monitor

Installation



Dimensions (mm[inch])



Application

