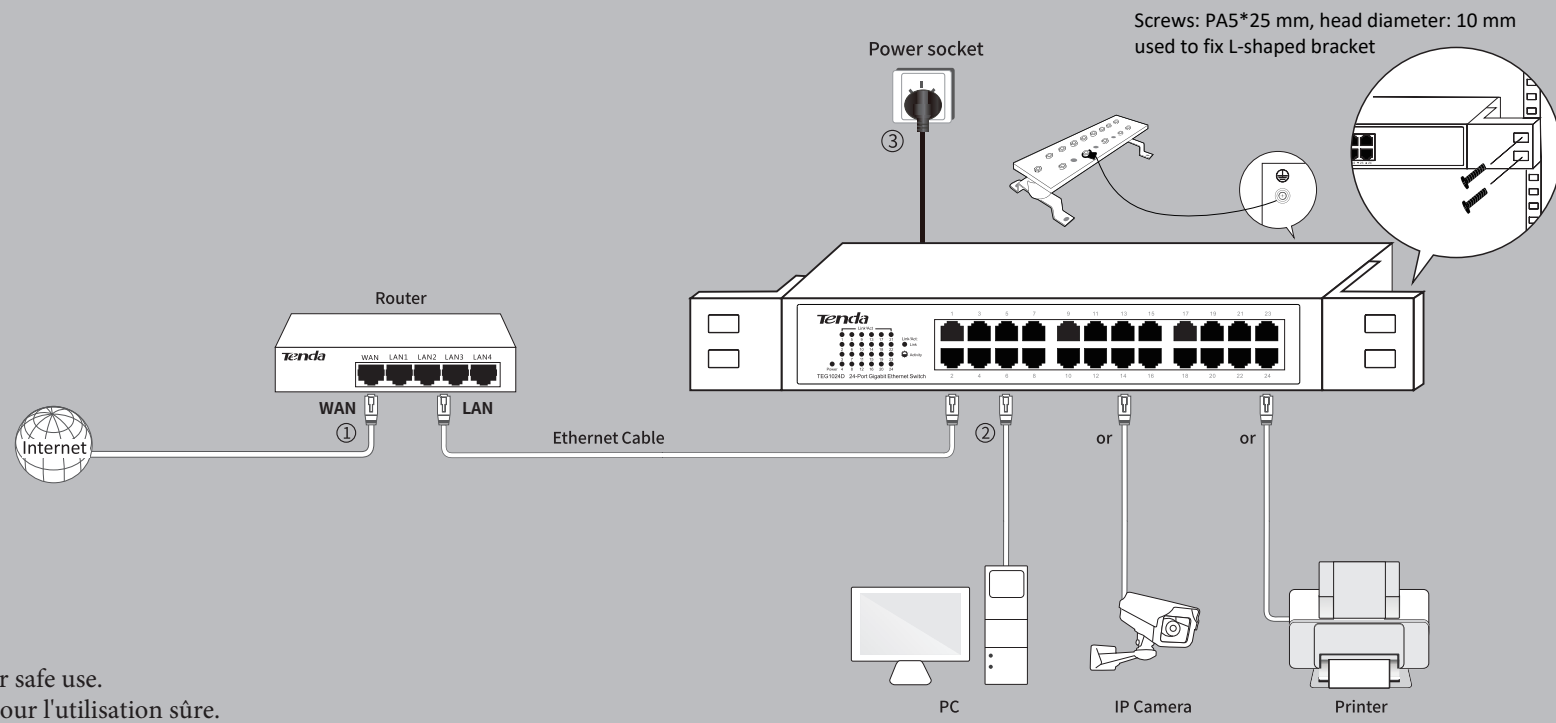


# Tenda

## Installation Guide

16-Port Gigabit Ethernet Switch/  
24-Port Gigabit Ethernet Switch

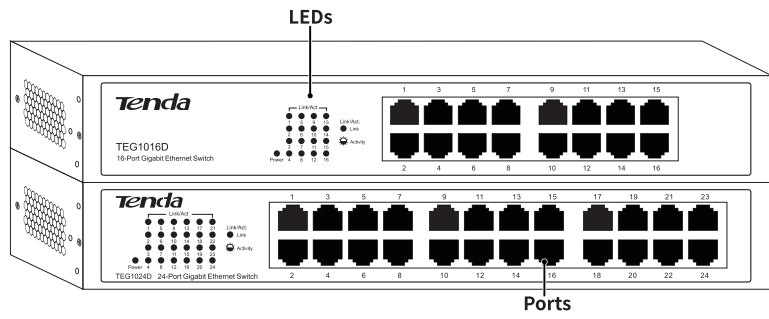
TEG1016D/TEG1024D



\*The switch must be horizontally mounted for safe use.  
\*Le switch doit être monté horizontalement pour l'utilisation sûre.

## English

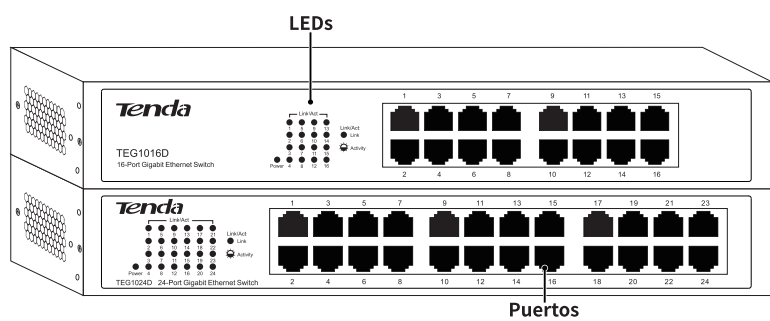
Product Overview



| LED          | Status   | Description  |
|--------------|----------|--|
| POWER        | ON       | Power supply is provided to the device properly.                     |
|              | OFF      | Power supply is not provided to the device properly.                 |
| Port 1-16/24 | Solid    | Indicates the corresponding port is connected.                       |
|              | OFF      | Indicates no connection is established.                              |
|              | Blinking | Indicates the corresponding port is connected and transferring data. |

## Español

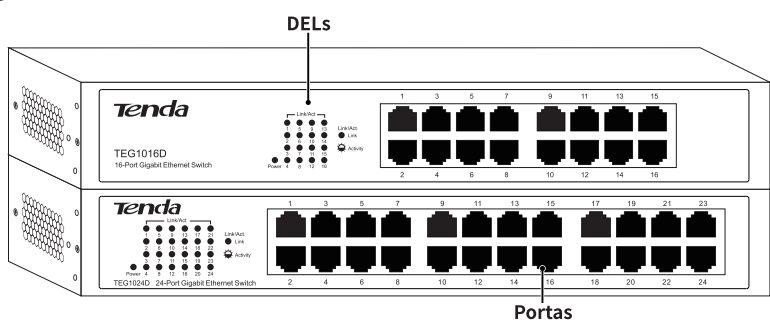
Descripción del producto



| LED            | Estado    | Descripción  |
|----------------|-----------|--|
| Energía        | Encendido | La fuente de alimentación se proporciona para el dispositivo adecuado.         |
|                | Apagado   | La fuente de alimentación no se proporciona para el dispositivo adecuado.      |
| Puerto 1-16/24 | Sólido    | Indica que el puerto correspondiente está conectado.                           |
|                | Apagado   | Indica que se ha establecido ninguna conexión.                                 |
|                | Parpadeo  | Indica que el puerto correspondiente está conectado y transfiriendo los datos. |

## Français

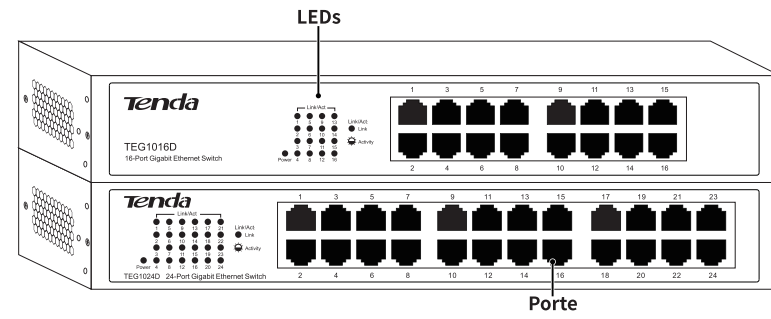
Présentation du produit



| LED           | Etat       | Description  |
|---------------|------------|--|
| Puissance     | Allumée    | L'alimentation est bien fournie pour le dispositif.                                    |
|               | Eteint     | L'alimentation n'est pas encore fournie pour dispositif.                               |
| Porta 1-16/24 | Solide     | Indique que le port correspondant est bien connecté.                                   |
|               | Eteint     | Indique que aucune connexion n'est établie.  |
|               | Clignotant | Indique que le port correspondant est connecté et en train de transmettre les données. |

## Português

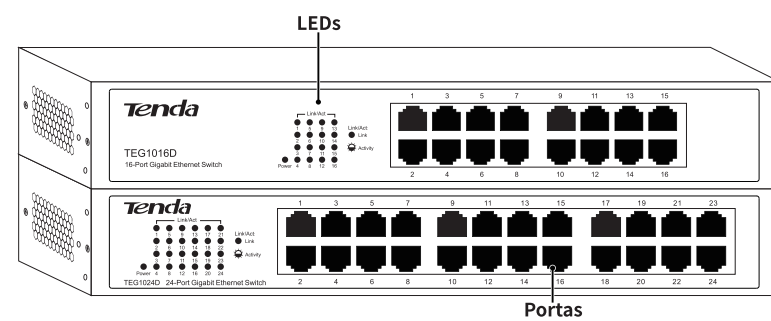
Visão Geral do Produto



| LED           | Estado   | Descrição  |
|---------------|----------|--|
| Energia       | Ligar    | Fonte de alimentação é fornecida para o dispositivo corretamente.      |
|               | Desligar | Fonte de alimentação não está prevista o dispositivo corretamente.     |
| Porte 1-16/24 | Sólido   | Indica que o porte correspondente está ligado.                         |
|               | Desligar | Indica que não há conexão é estabelecida.                              |
|               | Piscando | Indica que o porte correspondente é ligado e a transferência de dados. |

## Italiano

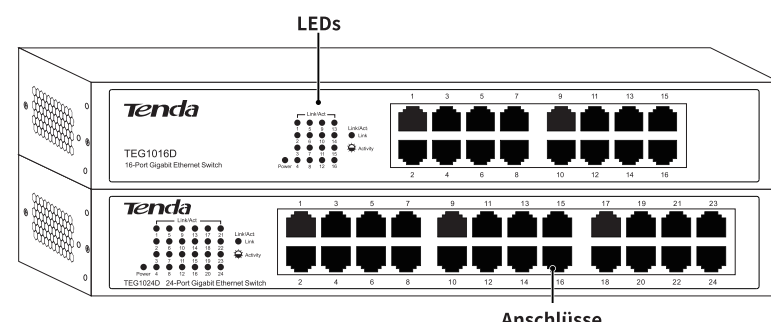
Panoramica del prodotto



| LED           | Stato        | Descrizione  |
|---------------|--------------|--|
| Alimentazione | Acceso       | L'alimentazione per il dispositivo è fornita correttamente.            |
|               | Spento       | L'alimentazione per il dispositivo non è fornita correttamente.        |
| Porta 1-16/24 | Solido       | Indica che la porta corrispondente è collegata.                        |
|               | Spento       | Indica che nessuna connessione è stabilita.                            |
|               | Lampeggiante | Indica che la porta corrispondente è collegata e sta trasferendo dati. |

## Deutsch

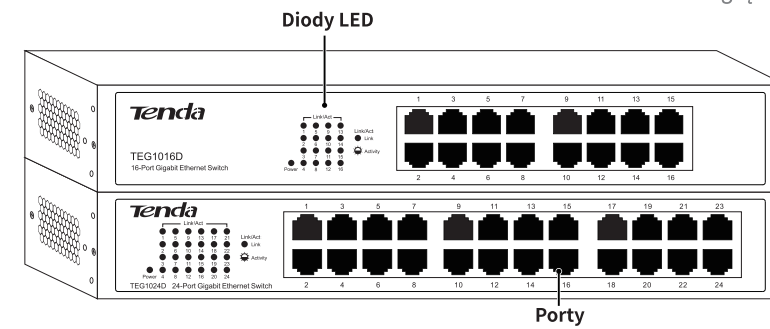
Produktübersicht



| LED               | Stand  | Beschreibung  |
|-------------------|--------|---|
| POWER             | Ein    | Stromversorgung funktioniert einwandfrei.                     |
|                   | Aus    | Stromversorgung funktioniert nicht einwandfrei.               |
| Anschluss 1-16/24 | Stabil | Idie entsprechende Port ist angeschlossen.                    |
|                   | Aus    | Keine Verbindung.   |
|                   | Blinkt | Die entsprechende Port ist angeschlossen und überträgt Daten. |

## Polski

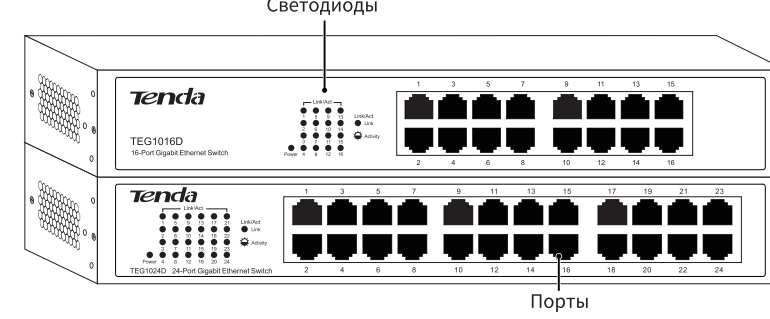
Przegląd produktów



| LED           | Status    | Opis   |
|---------------|-----------|--|
| Moc           | Włączacz  | Zasilanie jest normalne.                         |
|               | Wyłącz    | Zasilanie nie jest normalne.                     |
| Porty 1-16/24 | Staly     | Wskazuje, że port połączenia.                    |
|               | Wyłącz    | Wskazuje na brak portu połączenia.               |
|               | Migotanie | Wskazuje, że port połączenia i transferu danych. |

## Русский

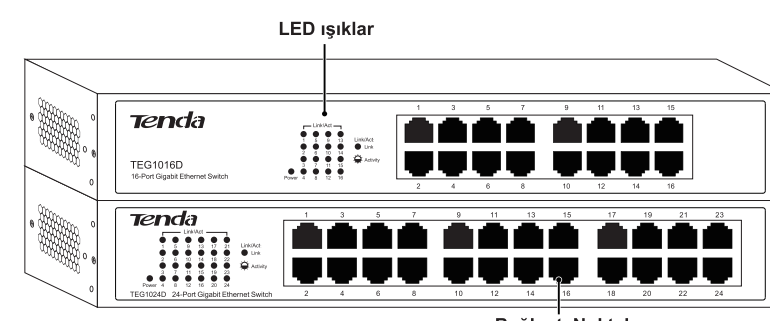
Краткая информация о продукте



| ВЕТОДИ           | Состояние   | Описание   |
|------------------|-------------|--|
| Источник питания | Вкл         | Электрическое питание подается на устройство должным образом.          |
|                  | Выкл        | Электрическое питание не подается на устройство должным образом.       |
| Порт 1-16/24     | Непрерывный | Указывает на подключение соответствующего порта.                       |
|                  | Выкл        | Указывает на отсутствие подключения.                                   |
|                  | Мигающий    | Указывает на подключение соответствующего порта и передачу информации. |

## Türkçe

Ürüne Genel Bakış



| LED                      | Durum           | Tanım   |
|--------------------------|-----------------|---|
| Güç                      | Açık            | Güç kaynağı normaldir.                                    |
|                          | Kapalı          | Güç kaynağı normal değil.                                 |
| Bağlantı Noktası 1-16/24 | Sürekli Yanıyor | Yuvaya kablo bağlı olduğunu gösterir.                     |
|                          | Kapalı          | Bağlantı olmadığını gösterir.                             |
|                          | Yanıp Sönüyor   | Yuvaya kablolu bağlı ve data transferi olduğunu gösterir. |

## Safety and Emission Statement



CE Mark Warning

This is a Class A product. In a domestic environment, this product may cause radio interference, in which case the user may be required to take adequate measures.  
The mains plug is used as disconnect device, the disconnect device shall remain readily operable.  
**NOTE:** (1) The manufacturer is not responsible for any radio or TV interference caused by unauthorized modifications to this equipment. (2) To avoid unnecessary radiation interference, it is recommended to use a shielded RJ45 cable.



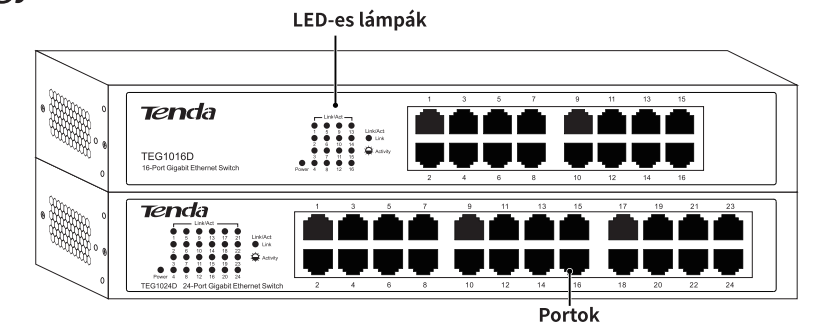
RECYCLING

his product bears the selective sorting symbol for Waste electrical and electronic equipment (WEEE). This means that this product must be handled pursuant to European directive 2012/19/EU in order to be recycled or dismantled to minimize its impact on the environment.  
User has the choice to give his product to a competent recycling organization or to the retailer when he buys a new electrical or electronic equipment.



## Magyar

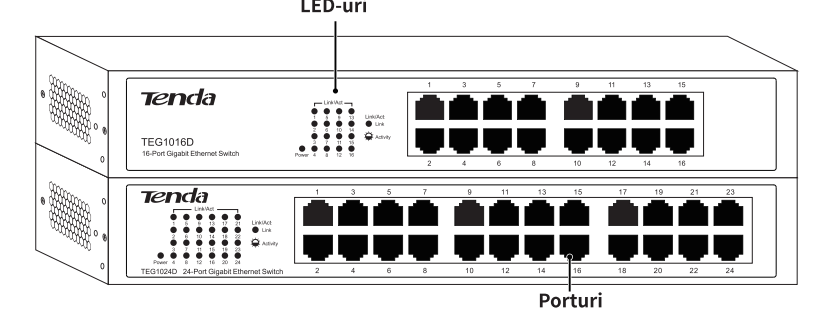
Termék áttekintés



| LED            | Státusz   | Leírás  |
|----------------|-----------|---|
| Teljesítmény   | Bekapcsol | Tápellátás normális.  |
|                | Leállítja | Tápellátás nem normális.  |
| Portok 1-16/24 | Szilárd   | Jelzi, hogy az adott port csatlakozott.                             |
|                | Leállítja | Jelzi, hogy a kapcsolat nem jött létre.                             |
|                | Vibrálás  | Jelzi, hogy az adott port csatlakoztatva van és adatátvitel folyik. |

## Română

Prezentarea produsului



| LED             | Stare                  | Descriere  |
|-----------------|------------------------|--|
| Putere          | Pornire                | Dispozitivul este alimentat corespunzător.                           |
|                 | Oprire                 | Dispozitivul nu este alimentat corespunzător.                        |
| Porturi 1-16/24 | Solid                  | Portul corespundente este conectat.                                  |
|                 | Oprire                 | Nicio conexiune nu a fost stabilită.                                 |
|                 | luminares intermitenta | Portul corespundente este conectat si transferul de date este activ. |

| Specifications        | TEG1016D   | TEG1024D  |
|-----------------------|--|---|
| Standard              | IEEE 802.3/4/x/ab  |   |
| Interface             | 16*10/100/1000Mbps auto-negotiation RJ 45 ports (Auto MDI/MDIX)                                    | 24*10/100/1000Mbps auto-negotiation RJ 45 ports (Auto MDI/MDIX) |
| Transmission Media    | 10BASE-T: UTP category 3, 4, 5 cable<br>100BASE-TX: 100BASE-TX: UTP category 5, 5e or Better       |   |
| Forwarding Rate       | 10Mbps: 14880pps 100Mbps: 148800pps 1000Mbps: 1488000pps   |   |
| LEDs                  | 16*10/100/1000Mbps Link/Act, 1*power   | 24*10/100/1000Mbps Link/Act, 1*power                            |
| Transmission Method   | Store-and-Forward<br>MAC auto Learning & Auto Aging  |   |
| Advance Feature       | Supports 10K jumbo frame<br>Power adapter with 6Kv lightning proof, Ports with 6Kv lightning proof |   |
| Switching Capacity    | 32Gbps   | 48Gbps  |
| Mac Address Table     | 8K   |   |
| Power Information     | AC 100V-240V 0.4A 50/60Hz  | AC 100V-240V 0.7A 50/60Hz                                       |
| Dimensions            | 294*180*44mm   |   |
| Operating Environment | Temperature  | 0°C~45°C  |
|                       | Humidity   | 10%~90% non-condensing  |
| Storage Environment   | Temperature  | -40°C~70°C  |
|                       | Humidity   | 5%~90% non-condensing   |

## FC

FC Statement

This equipment has been tested and found to comply with the limits for a Class A digital device, pursuant to Part 15 of the FCC Rules. These limits are designed to provide reasonable protection against harmful interference when the equipment is operated in a commercial environment. This equipment generates, uses, and can radiate radio frequency energy and, if not installed and used in accordance with the instruction manual, may cause harmful interference to radio communications. Operation of this equipment in a residential area is likely to cause harmful interference in which case the user will be required to correct the interference at his own expense.  
This device complies with Part 15 of the FCC Rules. Operation is subject to the following two conditions: (1) this device may not cause harmful interference, and (2) this device must accept any interference received, including interference that may cause undesired operation.

Caution!

Any changes or modifications not expressly approved by the party responsible for compliance could void the user's authority to operate the equipment.  
**NOTE:** (1) The manufacturer is not responsible for any radio or TV interference caused by unauthorized modifications to this equipment. (2) To avoid unnecessary radiation interference, it is recommended to use a shielded RJ45 cable.

Technical Support

Shenzhen Tenda Technology Co., Ltd.  
Floor 6-8, Tower E3, No.1001, Zhongshanyuan Road, Nanshan District, Shenzhen, China. 518052  
USA hotline: 1-800-570-5892  
Toll Free: 7 x 24 hours  
Canada hotline: 1-888-998-8966  
Toll Free: Mon - Fri 9 am - 6 pm PST  
Hong Kong hotline: 00852-81931998  
Global hotline: +86 755-2765 7180 (China Time Zone)  
Website: www.tenda.com  
E-mail: support@tenda.com.cn

Copyright

©2021 Shenzhen Tenda Technology Co., Ltd. All rights reserved.  
Tenda is a registered trademark legally held by Shenzhen Tenda Technology Co., Ltd. Other brand and product names mentioned herein are trademarks or registered trademarks of their respective holders. Specifications are subject to change without notice.