

DHI-NVR4116-EI

16CH Smart 1U 1HDD WizSense Network Video Recorder



Wiz Sense

Launched by Dahua Technology, WizSense is a series of AI products and solutions that adopt independent AI chip and deep learning algorithm. It focuses on human and vehicle with high accuracy, enabling users to fast act on defined targets. Based on Dahua's advanced technologies, WizSense provides intelligent, simple and inclusive products and solutions.

Series Overview

NVR4000-EI series is a new generation of network recorders that offers powerful decoding capabilities, and strong bandwidth. It features high-precision face recognition, perimeter protection, and SMD (Smart Motion Detection), which can distinguish target vehicles and humans from other types in real time. When connected with select IPC cameras, Quick Pick technology becomes available, allowing human and vehicle targets to be easily searched for and picked out. This network recorder is not only cost-effective, but also compatible with a wide variety of third-party devices, making it a great choice for small and medium-sized businesses.

Functions

Face Detection

Face detection is to detect if there is any human face appearing in the video. This technology adopts a deep learning algorithm to support face detection, tracking, optimization and capturing, and then output the best face snapshot.

Face Recognition

Dahua Face Recognition technology extracts the features of captured faces and compares them with those in face database to recognize the person identity.

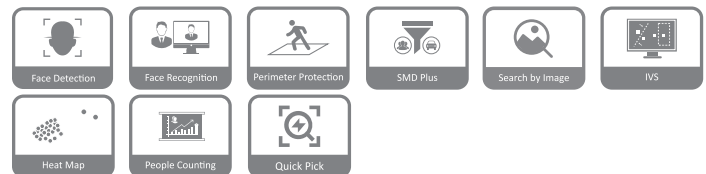
Perimeter Protection

Automatically filtering out false alarms caused by animals, rustling leaves, bright lights, etc. Enables system to perform secondary recognition for the targets. Improving alarm accuracy.

SMD Plus

With intelligent algorithm, Dahua Smart Motion Detection technology can categorize the targets that trigger motion detection and filter the motion detection alarm triggered by non-concerned targets to realize effective and accurate alarm.

- Smart H.265+/H.265/Smart H.264+/H.264/MJPEG decoding format.
- Access, storage or forwarding at 256 Mbps (180 Mbps when AI function enabled).
- Max. decoding capability: 16 × 1080p@30 fps. Supports adaptive decoding.
- AI by NVR: 1-channel face detection and recognition; 2-channel perimeter protection; up to 10 face databases and 20,000 face images; 4-channel SMD Plus.
- AI by Camera: Face detection and recognition, perimeter protection; SMD Plus; people counting; stereo analysis; heat map.
- Connected to the third-party network cameras.
- Security baseline 2.3.



AI Search

Support AI search by metadata of different targets or uploading face pictures to device and comparing them with recorded faces by similarity. Enable operators to quickly and easily search through multi channels and long duration, efficiently find out when and where a person of interest appeared.

Heat Map by Camera

Dahua heat map technology is used to display the crowd density and people appearance probability. Export and display the crowd status by different colors. Generally, the crowd status is the statistics of people quantity in space and time dimensions.

Quick Pick

Dahua Quick Pick technology can enable users to quickly pick up the human/vehicle targets that they are interested in, which facilitates retrieval from SMD events.

Technical Specification

System

Main Processor	Industrial-grade processor
Operating System	Embedded Linux
Operating Interface	Web; Local GUI

AI

AI by Recorder	Face detection, face recognition, perimeter protection, and SMD Plus
AI by Camera	Face detection; face recognition; perimeter protection; SMD Plus; people counting; stereo analysis; heat map

Perimeter Protection

Perimeter Performance AI by Recorder (Number of Channels)	2 channels, 10 IVS rules for each channel
Perimeter Performance of AI by Camera (Number of Channels)	8 channels

Face Detection

Face Attributes	Gender; age group; glasses; expressions; face mask; beard
Face Detection Performance of AI by Recorder (Number of Channels)	1 channel (up to 12 face images/s each channel)
Face Detection Performance of AI by Camera (Number of Channels)	8 channels

Face Recognition

Face Database Capacity	Up to 10 face databases with 20,000 images, with a total capacity of 2.5 G. Name, gender, birthday, address, credential type, credential No., countries & regions and state can be added to each face image.
Face Recognition Performance of AI by Recorder (Number of Channels)	8-channel FD (by camera) + FR (by recorder), image stream: 12 face images/s 1-channel FD (by recorder) + FR (by recorder), video stream: 12 face images/s
Face Recognition Performance of AI by Camera (Number of Channels)	8 channels

SMD Plus

SMD Plus by Recorder	4 channels: Secondary filtering for human and motor vehicle, reducing false alarms caused by leaves, rain and lighting condition change
SMD Plus by Camera	8 channels

Audio and Video

Access Channel	16 channels
Network Bandwidth	AI disabled: 256 Mbps incoming, 256 Mbps recording and 256 Mbps outgoing AI enabled: 180 Mbps incoming, 180 Mbps recording and 180 Mbps outgoing
Resolution	16 MP; 12 MP; 8 MP; 6 MP; 5 MP; 4 MP; 3 MP; 1080p; 960p; 720p; D1; CIF

Decoding Capability	AI disabled: 2-channel 16 MP@30 fps; 2-channel 12 MP@30 fps; 4-channel 8 MP@30 fps; 6-channel 5 MP@30 fps; 8-channel 4 MP@30 fps; 16-channel 1080p@30 fps AI enabled: 1-channel 16 MP@30 fps; 2-channel 12 MP@30 fps; 3-channel 8 MP@30 fps; 4-channel 5 MP@30 fps; 6-channel 4 MP@30 fps; 12-channel 1080p@30 fps
Video Output	1 HDMI, 1 VGA HDMI: 3840 × 2160, 1920 × 1080, 1280 × 1024, 1280 × 720 VGA: 1920 × 1080, 1280 × 1024, 1280 × 720 *Simultaneous/heterogeneous video sources output for VGA and HDMI is configurable.
Multi-screen Display	1st Screen: 1/4/8/9/16 2nd Screen: 1/4/8/9/16
Third-party Camera Access	Panasonic, Sony, Samsung, Axis, Pelco, Arecont, ONVIF, Canon

Compression Standard

Video Compression	Smart H.265+; H.265; Smart H.264+; H.264; MJPEG
Audio Compression	G.711a; G.711u; PCM; G726

Network

Network Protocol	HTTP; HTTPS; TCP/IP; IPv4/IPv6; UPnP; SNMP; UDP; SMTP; NTP; DHCP; DNS; IP Filter; PPPoE; DDNS; FTP; Alarm Server; IP Search (Support Dahua IP camera; DVR; NVS; etc.); P2P; auto register
Mobile Phone Access	iOS; Android
Interoperability	ONVIF 22.06(Profile T; Profile S; Profile G); CGI; SDK
Browser	Chrome; IE9 and later; Firefox

Recording Playback

Multi-channel Playback	Up to 16 channels
Record Mode	General, motion detection; intelligent; alarm
Backup Method	USB device and network
Playback Mode	Instant playback, general playback, event playback, tag playback, smart playback

Alarm

General Alarm	Motion detection; privacy masking; video loss; scene changing; PIR alarm; IPC external alarm
Anomaly Alarm	Camera disconnection; storage error; disk full; IP conflict; MAC conflict; login locked; and cybersecurity exception
Intelligent Alarm	Face detection; face recognition; perimeter protection; SMD Plus; people counting; stereo analysis; heat map
Alarm Linkage	Record; snapshot; IPC external alarm output; audio; buzzer; log; preset; email

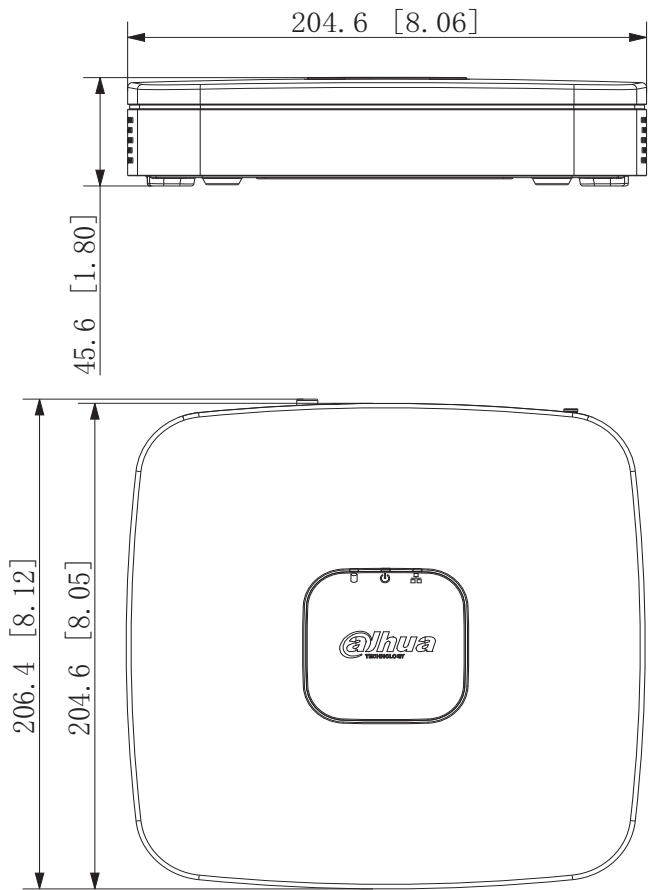
Port

Audio Input	1-channel RCA
Audio Output	1-channel RCA
HDD Interface	1 SATA port, up to 16 TB. The maximum HDD capacity varies with environment temperature.
USB	2 (2 rear USB 2.0 ports)
HDMI	1

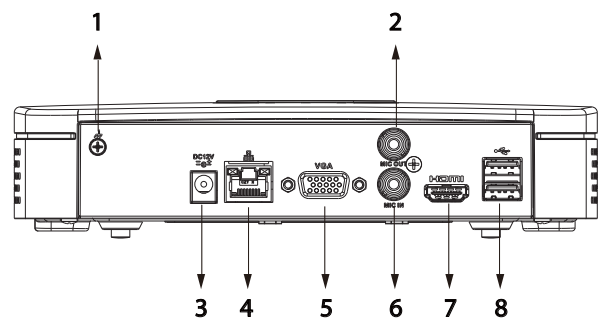
VGA	1
Network Port	1 (10/100/1000 Mbps Ethernet port, RJ-45)
General	
Power Supply	12 VDC, 2 A
Power Consumption	<10 W(without HDD)
Net Weight	0.45 kg (0.99 lb)
Gross Weight	1.07 kg (2.36 lb)
Product Dimensions	204.6 mm × 206.4 mm × 45.6 mm (8.06" × 8.12" × 1.80") (W × L × H)
Packaging Dimensions	364 mm × 96 mm × 261 mm (14.33" × 3.78" × 10.26") (W × L × H)
Operating Temperature	-10 °C to +55 °C (14 °F to +131 °F)
Storage Temperature	-20 °C to +60 °C (-4 °F to +140 °F)
Operating Humidity	10%–93% (RH)
Installation	Rack or desktop
Certifications	FCC: 47 CFR FCC Part15, SubpartB, Class A CE-EMC: EN 55032:2015+A1:2020; EN IEC 61000-3-2:2019+A1:2021; EN 61000-3-3:2013+A1:2019+A2:2021; EN 55035:2017+A11:2020; EN 50130-4:2011+A1:2014 CE-LVD: EN 62368-1:2014

Ordering Information		
Type	Model	Description
16 Channels WizSense NVR	DHI-NVR4116-EI	16CH Smart 1U 1HDD WizSense Network Video Recorder

Dimensions (mm[inch])



Panels



- | | |
|---------------|----------------------------|
| 1 Ground | 2 AUDIO OUT, RCA Connector |
| 3 Power Input | 4 Network Port |
| 5 VGA Port | 6 AUDIO IN, RCA Connector |
| 7 HDMI Port | 8 USB Ports |